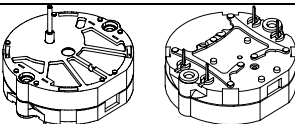
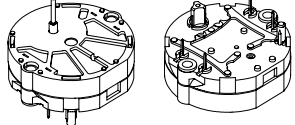
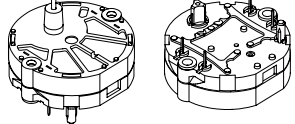
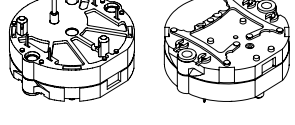
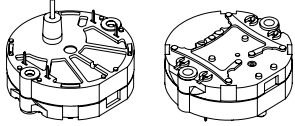


# Buyer's Guide

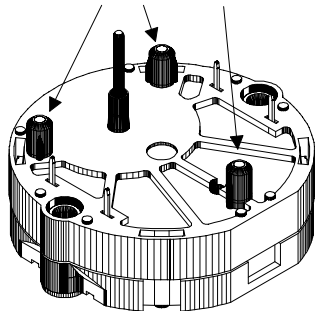
## Product Description and Reference Number

### Miniature Stepper Motor X25.xxx

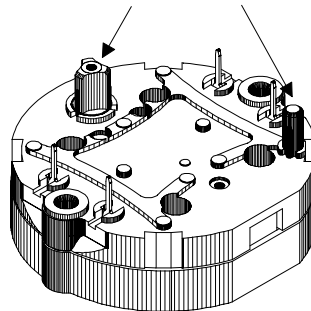
The X25.xxx is the new generation of **switec**'s M-S Motor which is fully compatible with the X15.xxx, XC5.xxx generations.

Product Description	Dom Version	Contacts	Mounting Pegs	Internal Stop	Indicator Shaft	Reference Number
		Rear	no	no	standard	<b>X25.156</b>
		Rear	no	yes	standard	<b>X25.166</b>
		Rear	Rear	no	standard	<b>X25.158</b>
		Rear	Rear	yes	standard	<b>X25.168</b>
	Dom	Rear	Rear	no	long (+2mm)	<b>X25.278</b>
	Dom	Rear	Rear	yes	long (+2mm)	<b>X25.288</b>
		Front	Front	no	Standard	<b>X25.559</b>
		Front	Front	yes	standard	<b>X25.569</b>
		Front	Front	no	long (+2mm)	<b>X25.579</b>
		Front	Front	yes	long (+2mm)	<b>X25.589</b>
	Dom	Front	Front	no	long (+2mm)	<b>X25.679</b>
	Dom	Front	Front	yes	long (+2mm)	<b>X25.689</b>

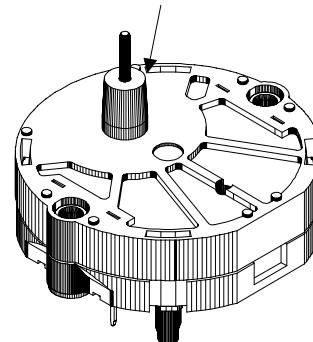
**Front Mounting pegs**



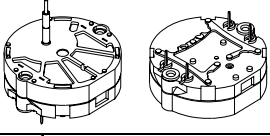
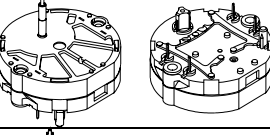
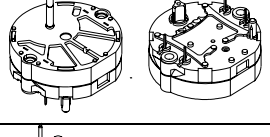
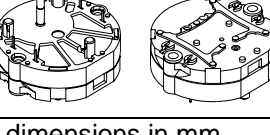
**Rear Mounting pegs**



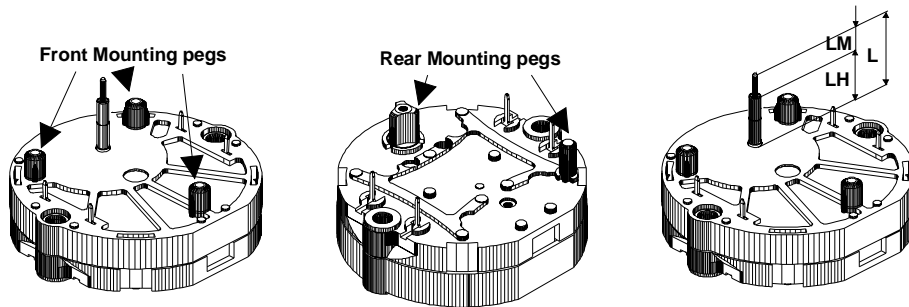
**Dom**



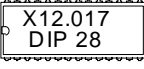
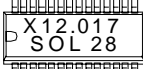







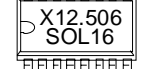
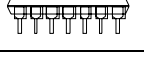

**Analogue Car Clock Miniature Stepper Motor X26.xxx**

Product Description	Special Feature	Contacts	Mounting Pegs	Indicator Shaft Diameter*	Indicator Shaft Length L/LH/LM *	Reference Number
		Rear	No	0.8/1.8	12.6/8.6/4	<b>X26.101</b>
		Rear	Rear	0.8/1.8	12.6/8.6/4	<b>X26.103</b>
	Minute Shaft Short	Rear	Rear	0.8/1.8	10.9/8.6/2.3	<b>X26.123</b>
		Front	Front	0.8/1.8	12.6/8.6/4	<b>X26.504</b>

\*All dimensions in mm

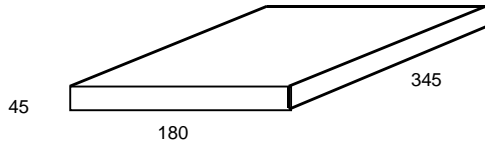


**Miniature Stepper Motor Drivers X12.xxx**

Product Description	Name	No. of Motors Driven	Package	Reference Number
 	M-S Quad Driver	4 x X25.xxx	DIP 28-pin	<b>X12.017 DIP28</b>
 	M-S Quad Driver	4 x X25.xxx	SOL 28-pin	<b>X12.017 SOL28</b>
 	M-S Dual driver	2 x X25.xxx	DIP 16-pin	<b>X12.014 DIP16</b>
 	M-S Dual Driver	2 x X25.xxx	SOL 16-pin	<b>X12.014 SOL16</b>
 	ACC M-S driver	1 x X26.xxx	DIP 14-pin	<b>X12.506 DIP14</b>
 	ACC M-S driver	1 x X26.xxx	SOL 16-pin	<b>X12.506 SOL16</b>

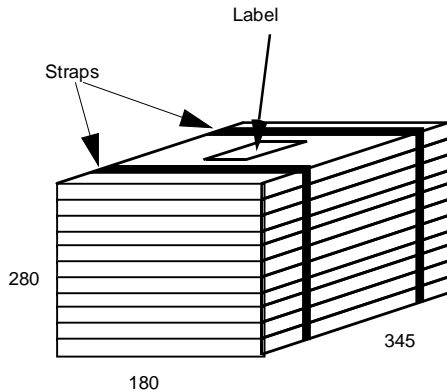
## Packaging Information for M-S Motor X25.xxx

### Tray for 50 M-S Miniature Stepping Motor X25.xxx:



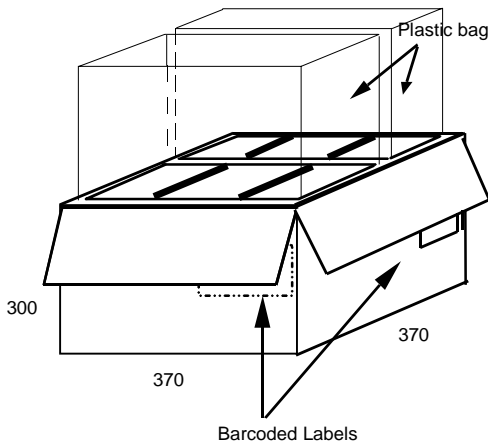
Material:	Polystyrene – Hardplastic		
Weight:	Tray	1 x	210g = 210g
	Motors	50 x	7.5g = 375g
			<b>Total = 585g</b>

### Stack for 500 Motors:



Material:	11 Trays (including cover) strapped together with plastic band		
Weight:	Trays	10 x	585g = 5'850g
	Cover tray	1 x	210g = 210g
	Plastic strap	2 x	15g = 30g
			<b>Total = 6'090g</b>

### Cardboard box for 1000 Motors:



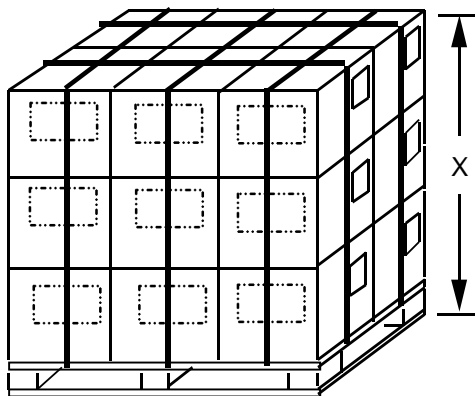
Material:	Cardboard 740 g/m <sup>2</sup>		
Weight:	Cardboard	1 x	900g = 900g
	Plastic bag	2 x	50g = 100g
	Stacks	2 x	6'090g = 12'180g
			<b>Total = 13'180g</b>

### "Euro-Palette" for 6K/12K/18K/24K Motors:

Material:	Euro-Palette (1'200x800x150)		
Weight:	Palette	1 x	20kg = 20kg

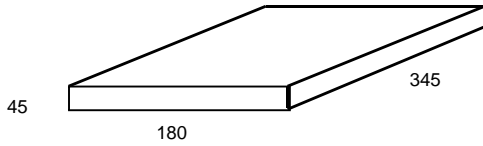
No. of Layers	X	No. of motors	Weight *
1	450mm	6000	100kg
2	750mm	12000	179kg
3	1'050mm	18'000	258kg
4	1'350mm	24'000	336kg

\* Estimated maximum weights



all Dimensions in mm

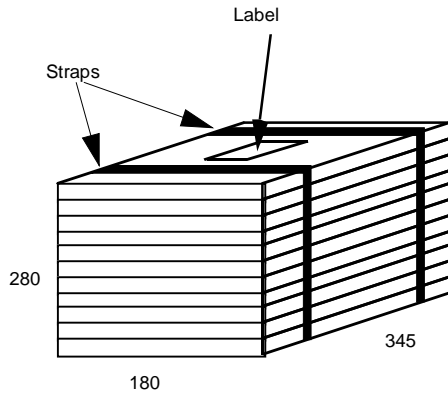
**Packaging Information for ACC M-S Motor X26.xxx**



**Tray for 50 Analogue Car Clock Motor X26.xxx:**

Material: Polystyrene – Hardplastic

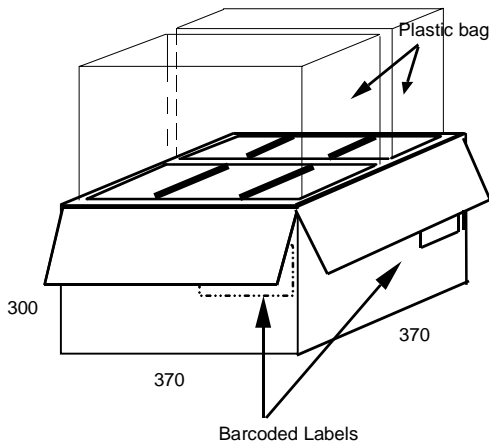
Weight:	Tray	1 x	210g =	210g
	Motors	50 x	8.4g =	420g
			<b>Total =</b>	<b>630g</b>



**Stack for 500 Motors:**

Material: 11 Trays (including cover) strapped together with plastic band

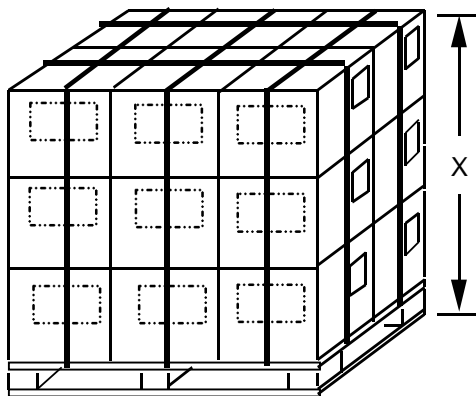
Weight:	Trays	10 x	630g =	6'300g
	Cover tray	1 x	210g =	210g
	Plastic strap	2 x	15g =	30g
			<b>Total =</b>	<b>6'540g</b>



**Cardboard box for 1000 Motors:**

Material: Cardboard 740 g/m<sup>2</sup>

Weight:	Cardboard	1 x	900g =	900g
	Plastic bag	2 x	50g =	100g
	Stacks	2 x	6'540g =	13'080g
			<b>Total =</b>	<b>14'080g</b>



**"Euro-Palette" for 6K/12K/18K/24K Motors:**

Material: Euro-Palette (1'200x800x150)

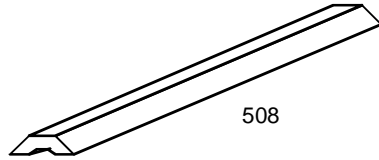
Weight:	Palette	1 x	20kg =	20kg
---------	---------	-----	--------	------

No. of layers	X	No. of motors	Weight *
1	450mm	6000	105kg
2	750mm	12000	189kg
3	1'050mm	18'000	274kg
4	1'350mm	24'000	358kg

\* Estimated maximum weights

all Dimensions in mm

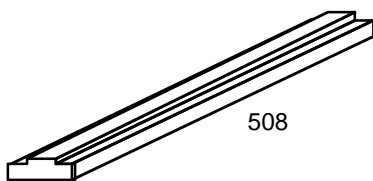
## Packaging Information for M-S Drivers



### Shipping tube for DIP package:

Material: Clear/Transparent PVC Plastic (antistatic)

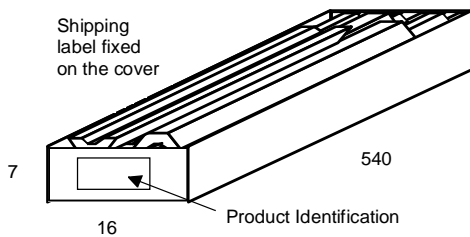
	DIP	No. of Parts	Tube	
X12.506	14 pin IC's	25 x 1.0g +	24g =	49g (A)
X12.014	16 pin IC's	25 x 1.0g +	24g =	49g (B)
X12.017	28 pin IC's	13 x 4.2g +	26g =	81g (C)



### Shipping tube for SOL package ( sample deliveries only):

Material: Clear/Transparent PVC Plastic (antistatic)

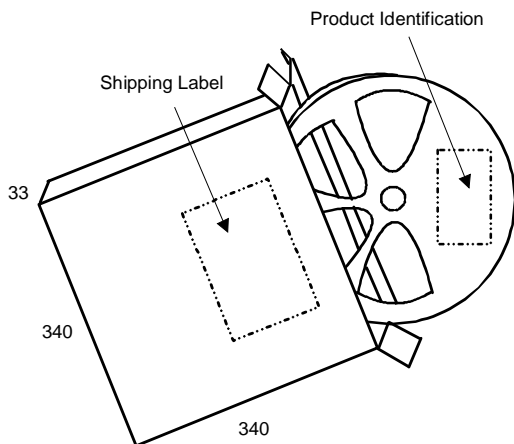
Type	SOL	No. of Parts	Tube	
X12.506	16 pin IC's	46 x 0.4g +	15g =	34g
X12.014	16 pin IC's	46 x 0.4g +	13g =	34g
X12.017	28 pin IC's	27 x 0.7g +	13g =	32g



### Cardboard box for Tubes:

Material: Cardboard

ICs Type	DIP	No. of Tubes	No of Ics/box	Weight of box / Box (220g)
X12.506	14 pin IC's	40 X A	<b>1000</b>	/ 2180g
X12.014	16 pin IC's	40 X B	<b>1000</b>	/ 2180g
X12.017	28 pin IC's	25 X C	<b>325</b>	/ 2245g



### Cardboard box for SOL in tape:

Material: Cardboard

ICs Type	SOL	No. Of Parts/reel	Reel	Weight of box / Box (130g)
X12.506	16 pin IC's	<b>1000</b> x 0.4g +	310g =	840g
X12.014	16 pin IC's	<b>1000</b> x 0.4g +	310g =	840g
X12.017	28 pin IC's	<b>1000</b> x 0.7g +	310g =	1140g

all Dimensions in mm